

We Create Better Whatever You Deserve

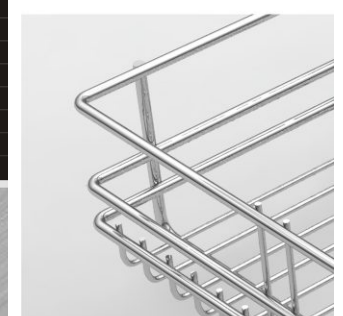
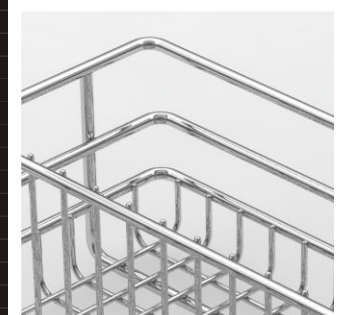
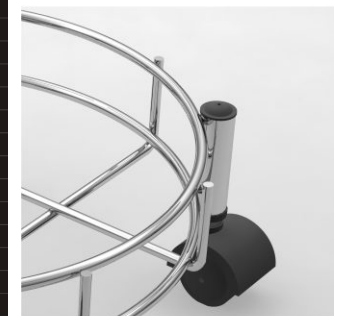


AISI 304 Stainless Steel

AN ISO 9001:2008 CERTIFIED COMPANY

SEARCH INDEX

Basket Fitting Layout	4	Hang On Laddle Gradle	32
Drawer Basket	5	Hang On Cup Saucer Rack	33
Partition Basket.....	6	Tall Unit	34
Cup & Saucer Basket.....	7	Vertical Pull Out	35
Cutlery Basket (Chex).....	8	Revaluing Tall Unit.....	36
Perforated Cutlery Basket	9	Swing Corner.....	37
Cutlery Basket	9	Premium Magic Corner.....	38
Big Cutlery Basket	9	Carrousel.....	39
Thali Basket	10	D-Tray.....	40
Plate Basket	11	Full Round Unit	41
Bottle Basket	12	Elevator	42
Glass Basket	13	Corner Organizer	43
Pull Out Basket.....	14	Accessories	44
Grain Trolley.....	15	Multi Purpose Wardrobe System ..	46
Fabrication Grain Trolley.....	15	Side Slider Pull Out System	47
Bottle Plate Pull Out	16	Small Slider Pull Out System	48
Multi Purpose Single Pull Out.....	17	Wardrobe Corner System.....	49
Multi Purpose Rack	18	Multi Purpose Poll Unit.....	50
Detergent Rack.....	19	Fruit Basket.....	54
Double Basket Pull Out.....	20	Hot Plate	55
Triple Basket Pull Out	20	Big Square Hot Plate	55
Fabrication Double Basket.....	21	Small Square Hot Plate.....	55
Fabrication Triple Basket	21	Sink Tray Basket	56
Glass Plate Rack	24	Sink Basket.....	56
Recipe Book Holder.....	25	Wine Holder.....	57
Shoe Rack	25	Laundry Basket.....	57
Single Corner.....	26	Plate Rack	58
Double Corner	26	Pan Holder.....	58
Triple Corner.....	27	Wine Glass Holder	58
Hang On Wall Single Basket.....	28	Spice Rack	59
Hang On Wall Double Basket	28	Bottle Rack	59
Hang on Paper-Foil Holder.....	29	Use Me Basket	59
Hang on Glass Plate Rack	30	Cylinder Trolley.....	60
Hang On Six Glass Stand	31	Paddle Dust Bin.....	60
Hang On Twelve Glass Stand	31	Waste Dust Bin.....	60



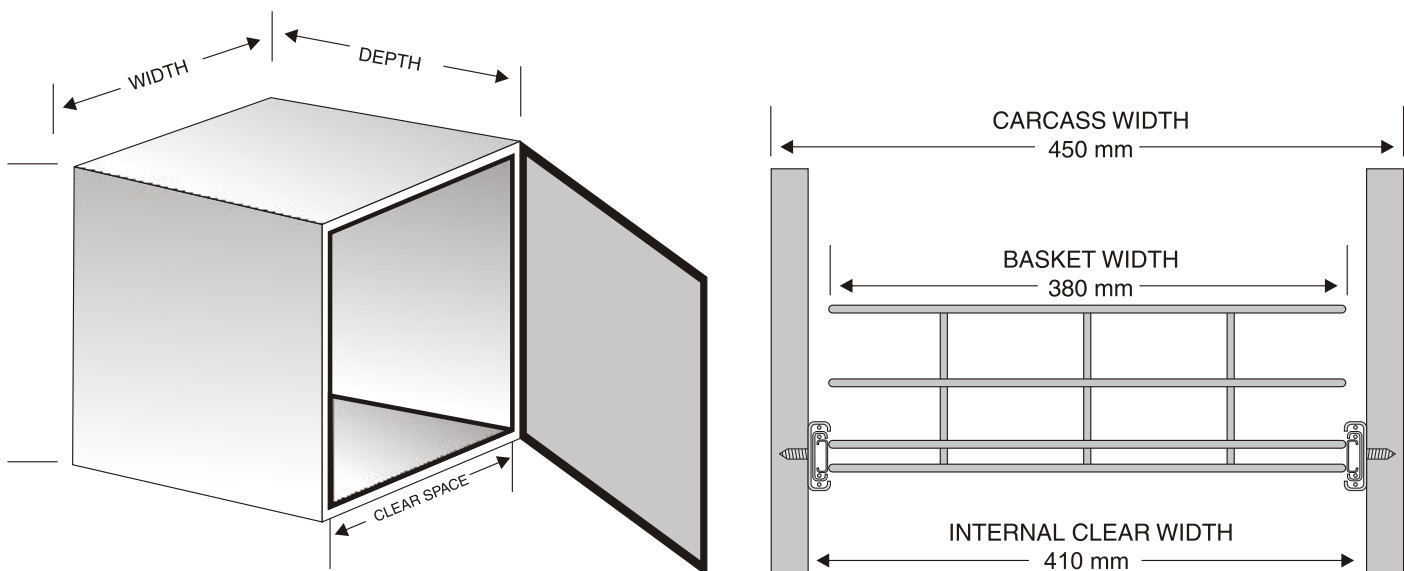
Calculation of Internal Clear Space for Baskets

Carcass size mentioned below in the drawing shows outer dimensions of standard cabinets used in modular kitchens, for tailor made kitchen select drawer basket size from our standard range and calculate cabinet size as explained below.

Basket Size + Channel (Pair) thickness = Internal clear space

380 mm + 30 mm = 410 mm ()

LAYOUT OF BASKET FITTING IN CARCASS

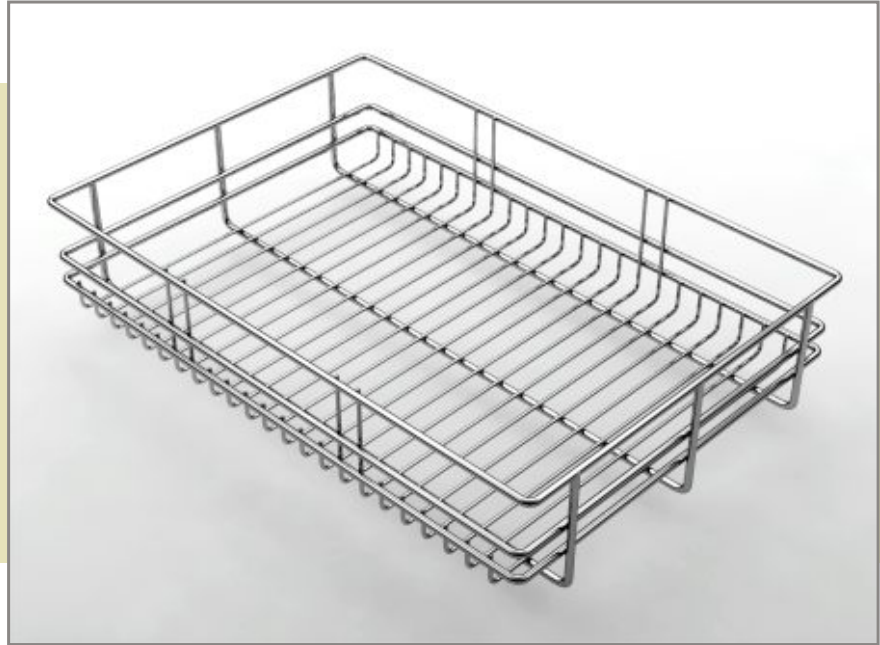


Drawer Basket

W : 6, 8, 12, 15, 17, 19, 21

D : 20, 22, 24

H : 4, 6, 8



The Drawer Basket are for various use to maintain your kitchen space

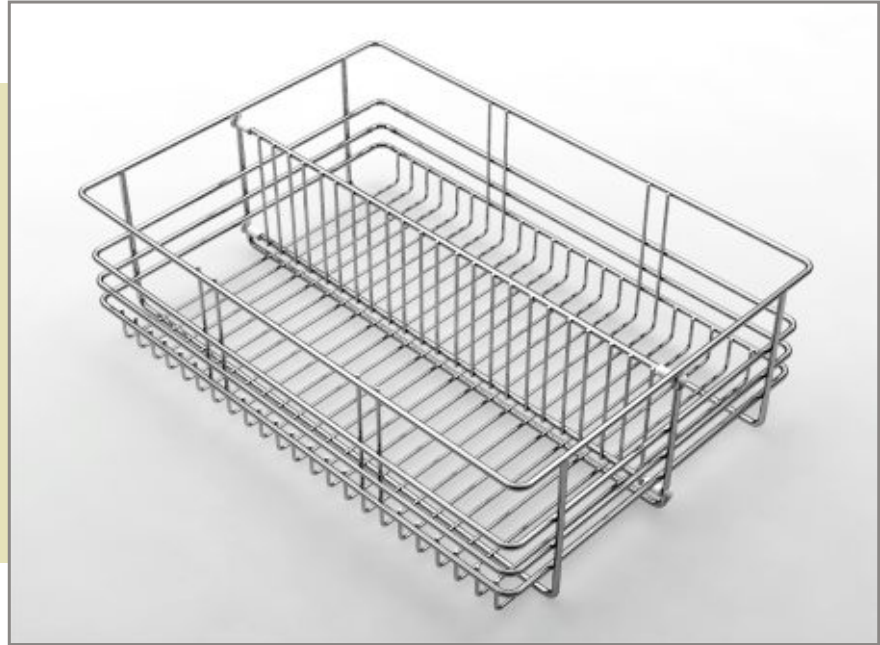


Partition Basket

W : 12, 15, 17, 19, 21

D : 20, 22, 24

H : 4, 6, 8



This Partition Basket are useful to maintain require different space

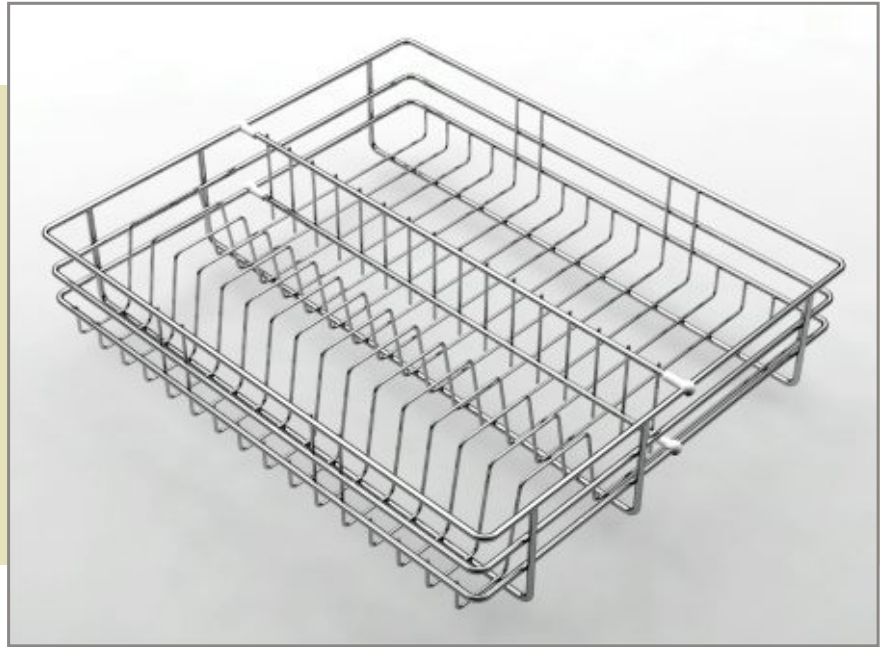


Cup & Saucer Basket

W : 15, 17, 19, 21

H : 20, 22, 24

D : 4



Safe and dissent space for cup & saucers in Cup Saucer Basket



Premium Cutlery Basket

W : 15, 17, 19, 21

D : 20

H : 4



Cutlery Basket useful for those things whose are need often between cooking



Perforated Cutlery Basket

W : 15, 17, 19, 21

D : 20, 22, 24

H : 4

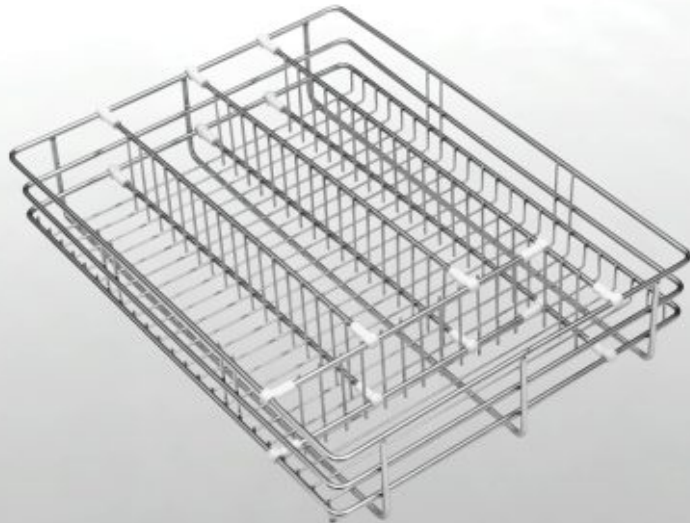


Cutlery Basket

W : 12, 15, 17, 19, 21

D : 20, 22, 24

H : 4



Big Cutlery Basket

W : 27.5, 32.5

D : 20

H : 4

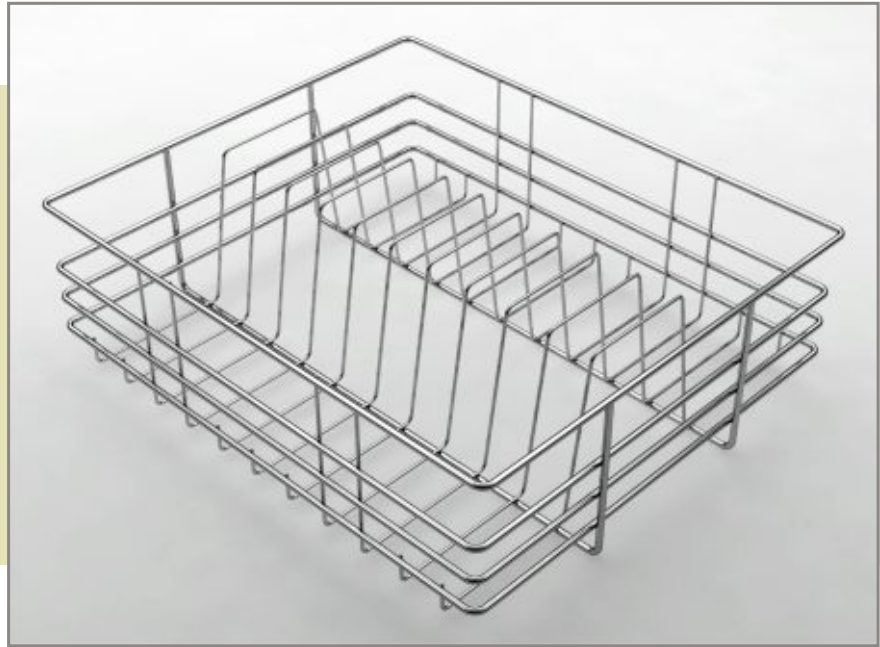


Thali Basket

W : 15, 17, 19, 21

D : 20, 22, 24

H : 6, 8



Thali Basket useful to keep thalis whose are need often after cooking

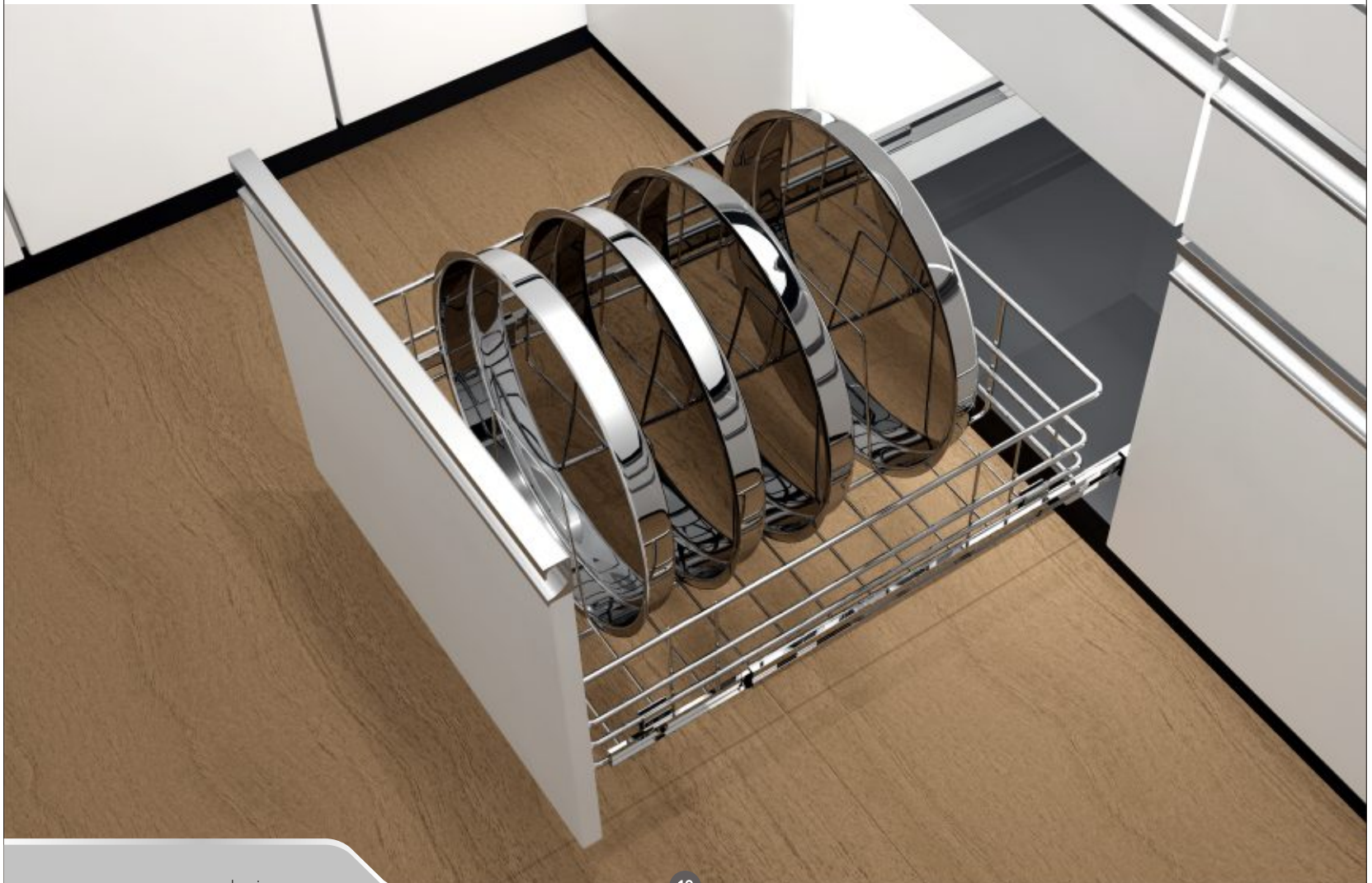


Plate Basket

W : 15, 17, 19, 21

D : 20, 22, 24

H : 6, 8



Plate Basket for storing individual plate, Make it the ingredient of a personal kitchen



Bottle Basket

W : 12, 15, 17, 19, 21

D : 20, 22, 24

H : 6



Bottle Basket is useful to keep bottles, this prevents breakages

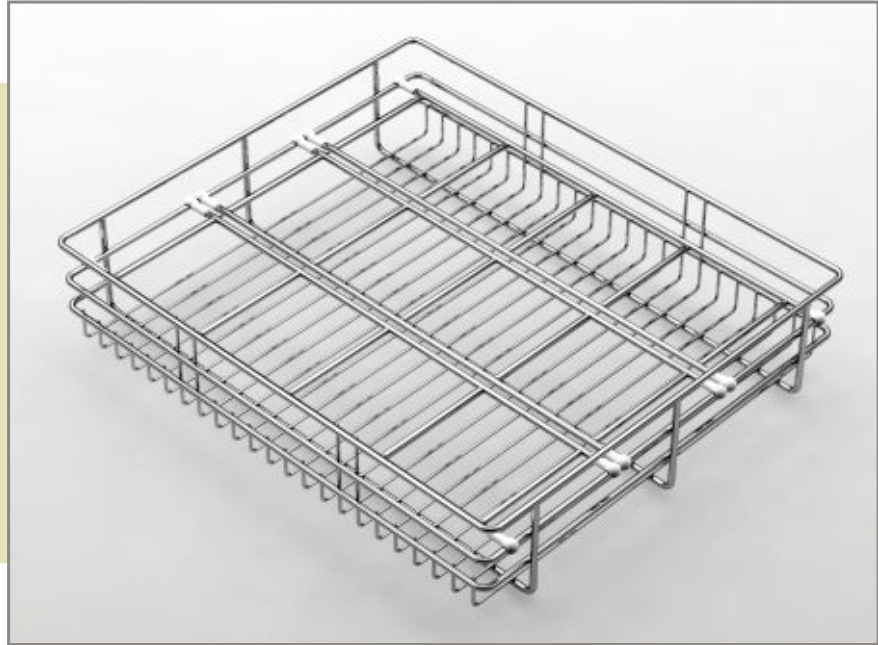


Glass Basket

W : 12, 15, 17, 19, 21

D : 20, 22, 24

H : 4



An excellent way to keep glasses in Glass Basket

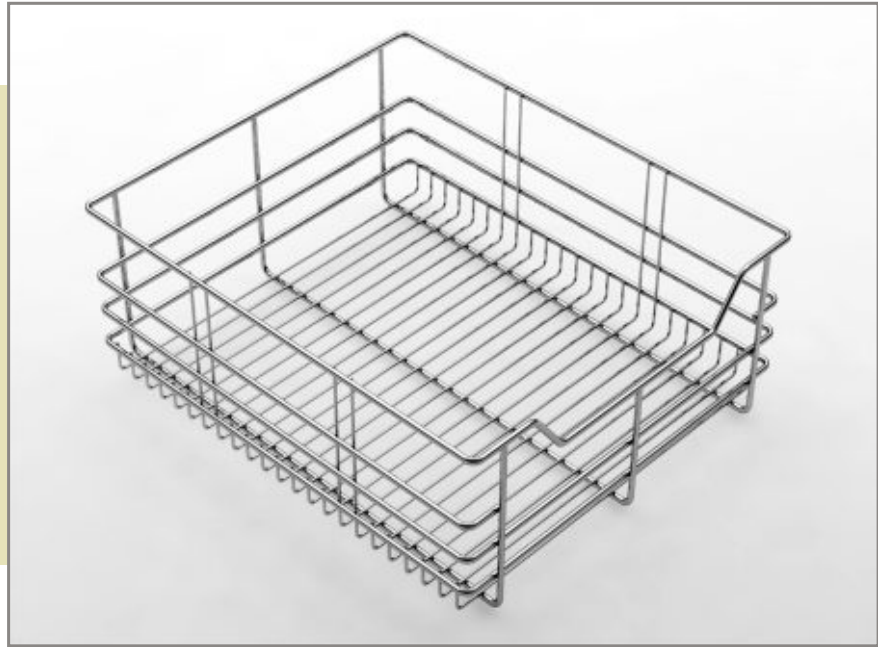


Pull Out Basket

W : 15, 17, 19, 21, 24, 27.5, 32.5

D : 20, 22, 24

H : 4, 6, 8



Pull Out Basket designed for vertical and horizontal sapce, Get more storage per inches



Fabrication Grain Trolley

W : 15, 17, 19, 21

D : 19

H : 12

Vegetable oils, Pulses, Cereal food grains and etc. need for bulk storage so those can be kept in this.

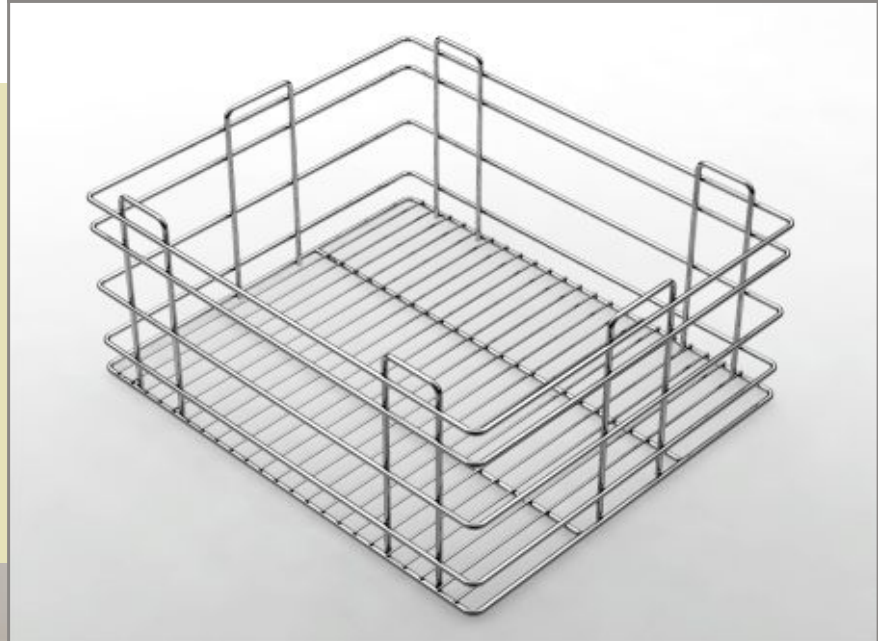


Grain Trolley

W : 15, 17, 19, 21

D : 20, 22, 24

H : 8



Bottle Plate Pull Out

W : 12

D : 20, 22, 24

H : 17



This Bottle plate Pull out features wire separators for plates, saucer and bottles, This prevent breakages.



Multi Purpose Single Pull Out

W : 4, 6, 8, 8 (4+6+8)

D : 20, 22, 24

H : 24



Multi Purpose Single Pull Out useful for multi various use

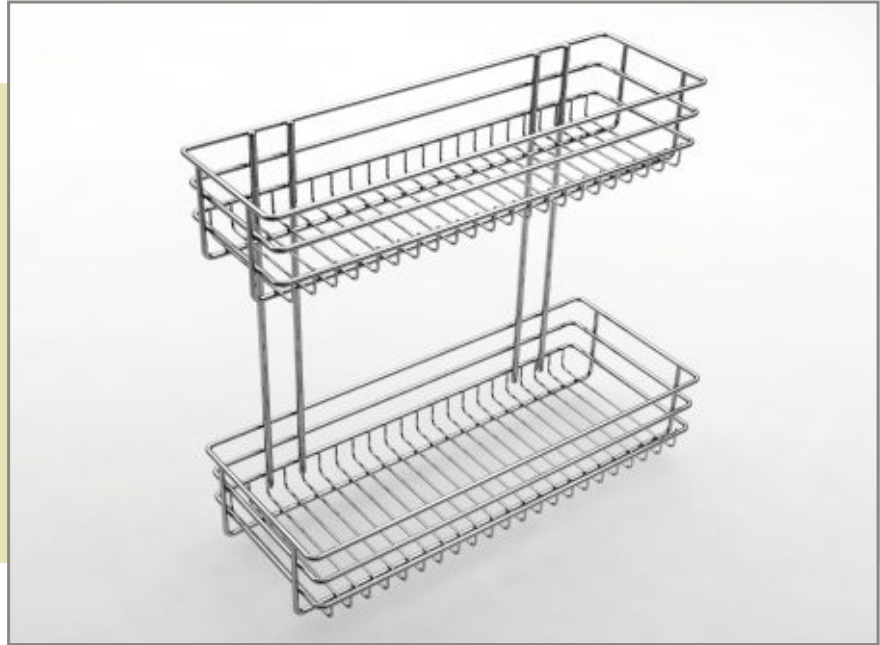


Multi Purpose Rack

W : 6 (6+6), 8 (6+8) (8+8)

D : 20, 22, 24

H : 17



Multi storage device & different use to kept items in Multi Purpose Rack

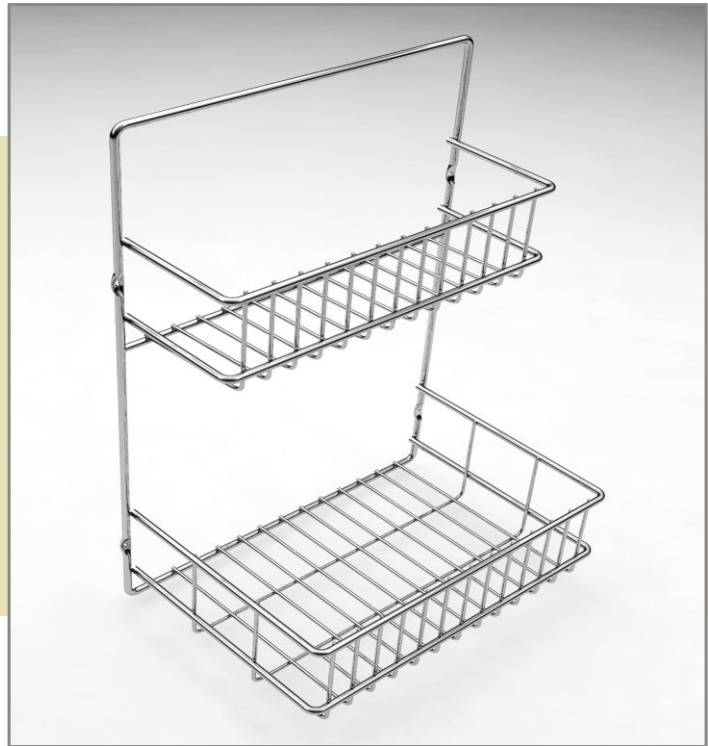


Detergent Rack

W : 12

D : 8.5

H : 17



Detergent Rack is useful to keep soap, detergent, cling liquid etc. when you wash vas, cloths etc.



Double Basket Pull Out

W : 4, 6, 8, 12

D : 20, 22, 24

H : 17

Double & triple Basket Pull Out is
Comfortable to kept general purpose items



Triple Basket Pull Out

W : 4, 6, 8, 12

D : 20, 22, 24

H : 21



Double Basket Pull Out

W : 4, 6, 8, 12

D : 19

H : 17



Triple Basket Pull Out

W : 4, 6, 8, 12

D : 19

H : 21



Create
Modern Kitchen
with IN'N'OUT



Quality
for
Satisfaction



Plate Rack

W: 16, 24, 30, 34

D: 9

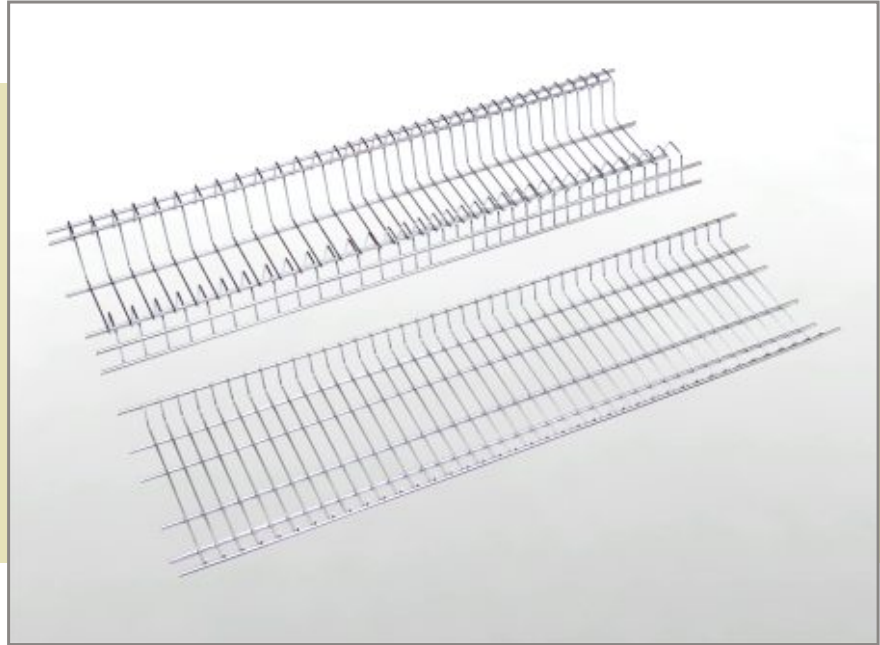
H: 3

Glass Rack

W: 16, 24, 30, 34

D: 9

H: 1



Glass Plate Rack is suitable to keep expensive glasses & plate upon kitchen area's wall which is safe from kids



Recipe Book Holder

W : 18

D : 13

H : 1.5



Shoe Rack

W : 25

D : 13

H : 20.5



Single Corner

W : 9

D : 9

H : 7



A Round Corner Classical article for your kitchen's corner

Double Corner

W : 9

D : 9

H : 17

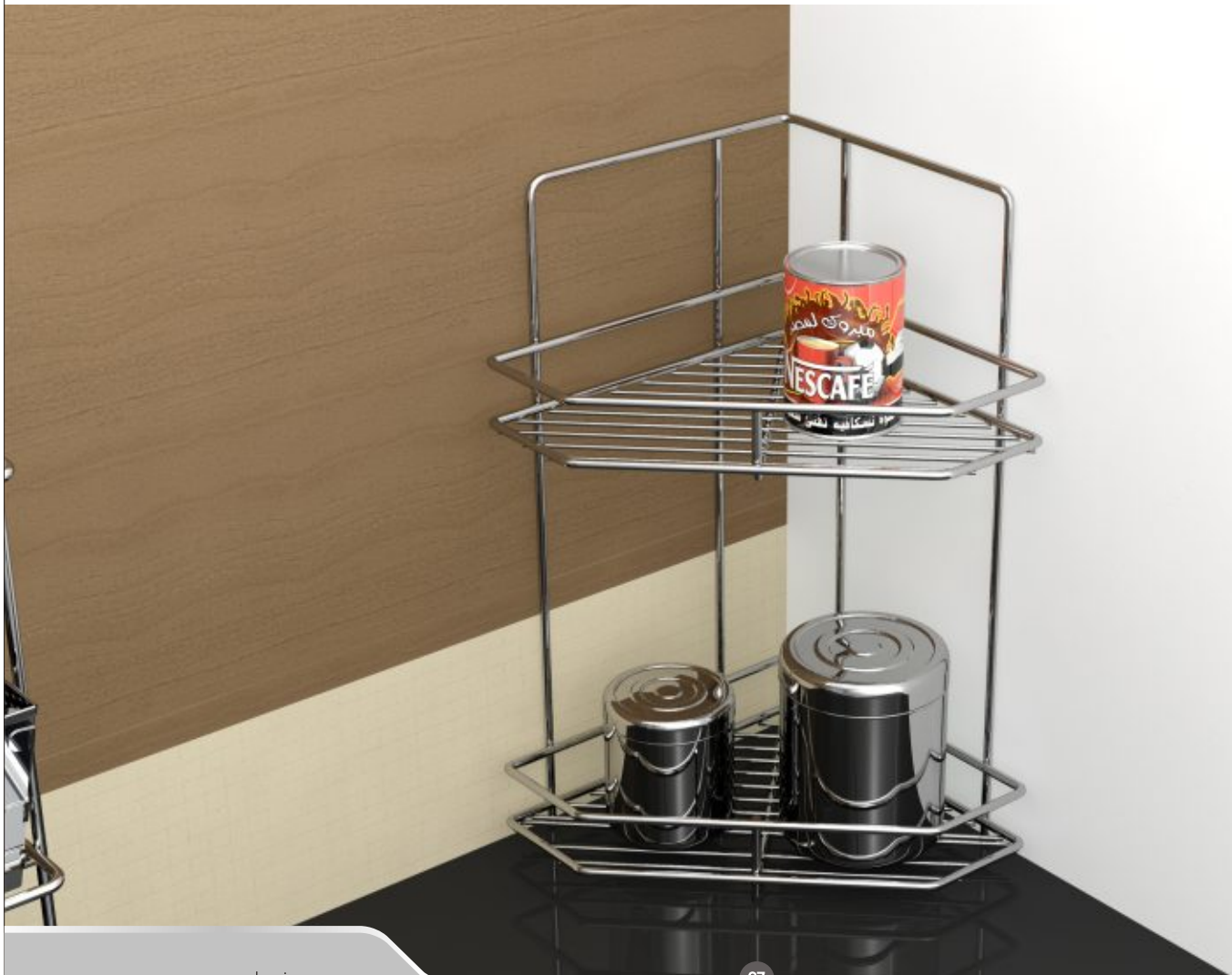


Triple Corner

W : 9

D : 9

H : 27



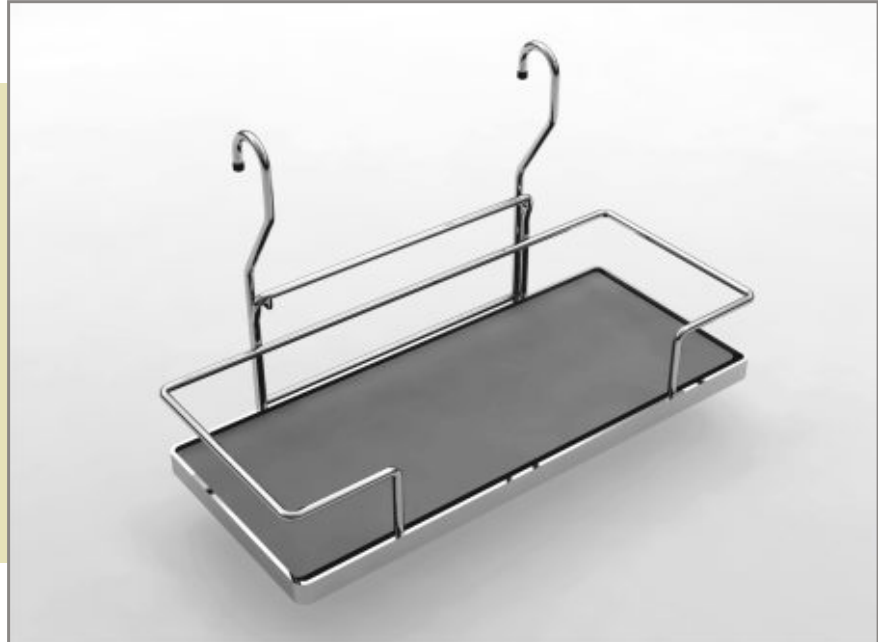
Hang On Wall Single Basket

W : 12, 15, 18

D : 6, 8

H : 4

This Series hang on tube system so as to pull it to any side of the kitchen and get flexibility



Hang On Wall Double Basket

W : 12, 15, 18

D : 6, 8

H : 4



Hang on Paper-Foil Holder

W : 12

D : 6

H : 16



Hang on Paper-Foil Holder is a Suitable item for packing cooked food



Hang on Glass Plate Rack

W : 25

H : 11

D : 13



Hang on Glass Plate Rack is very useful to keep Glass, Plats and other items which is often necessary



Hang On Twelve Glass Stand

W : 14

D : 3.5

H : 21

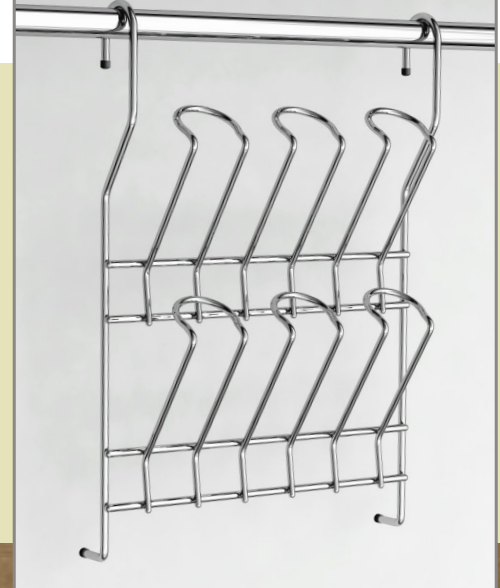
A Rich Choice to Hanging Glass on this

Hang On Six Glass Stand

W : 10

D : 3.5

H : 16

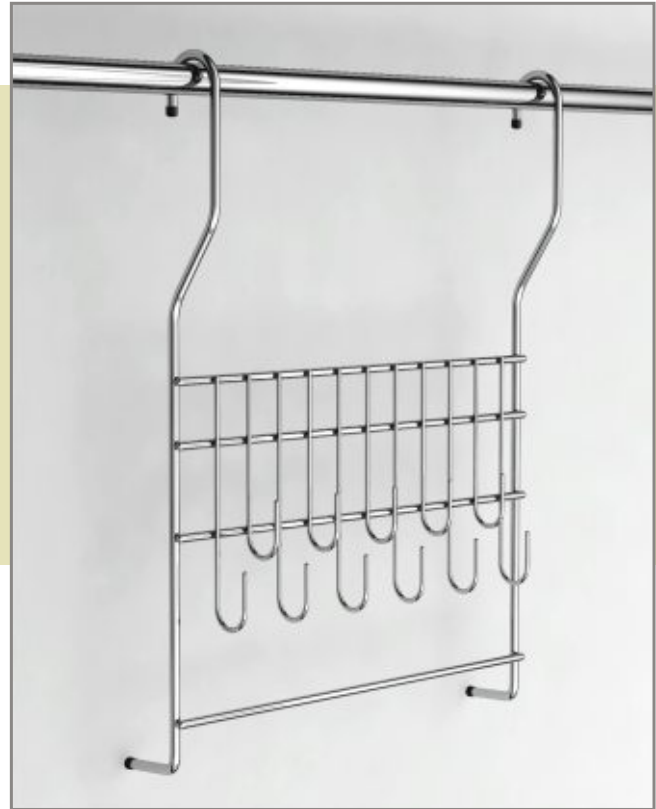


Hang On Ladle Gradle

W : 12

D : 2.5

H : 16

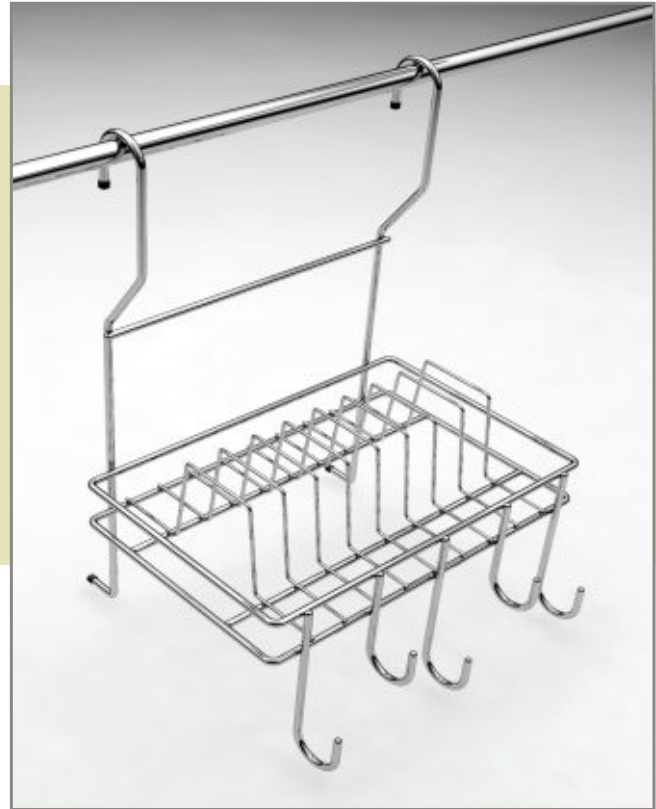


Hang On Cup Saucer Rack

W : 12

D : 11

H : 17



Extra Ordinary the vertical space Tall Unit.
The Telescopic slides make the unit more user friendly where lots of kitchen items can be stored.

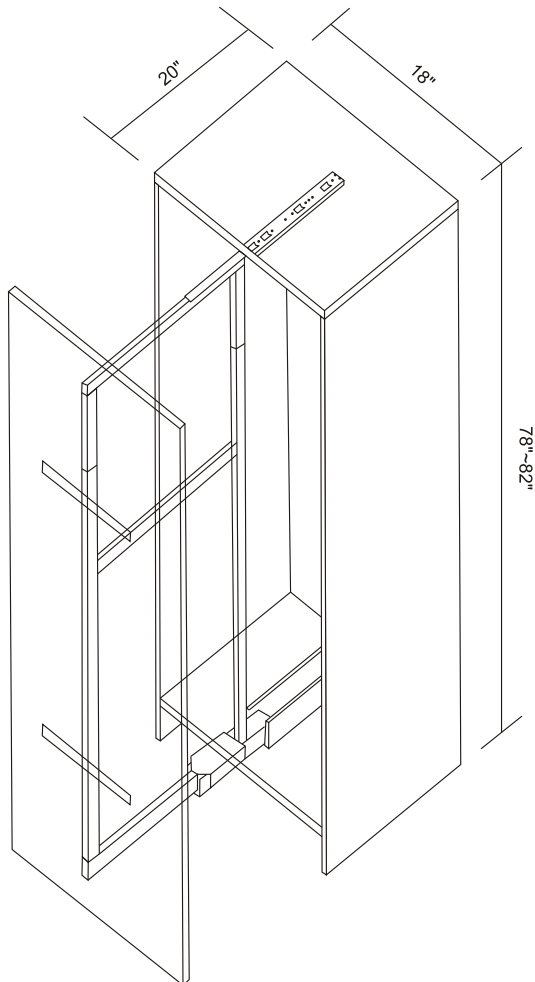
Tall Unit

W : 18

D : 20

H : 78-82

Tall Unit Fitting Layout



Vertical Pull Out

W : 18

D : 20

H : 75 - 85

Contains

1. Adjustable central Fram - 1 Pcs.
2. Side Frame - 1 Pcs.
3. Front Bracket -5 Pcs.
4. Center Basket-5 Pcs.
5. Bottom Runner - 1 Pcs.
6. Clamps - 20 Pcs.



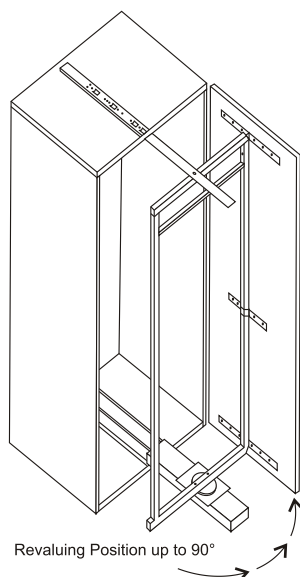
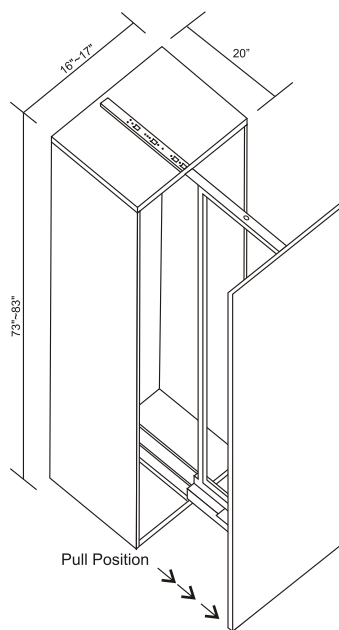
Revaluing Tall Unit

W : 18

D : 20

H : 78-82

Revaluing Tall Unit Fitting Layout



Swing Corner Fitting Layout

Swing Corner

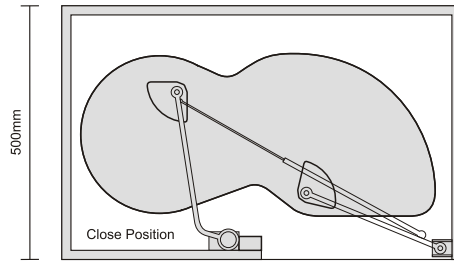
W : 36

D : 20

H : 24.5 - 36

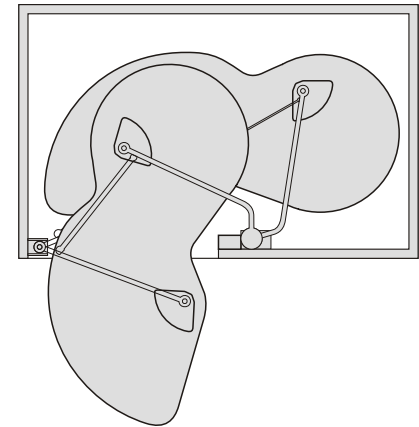
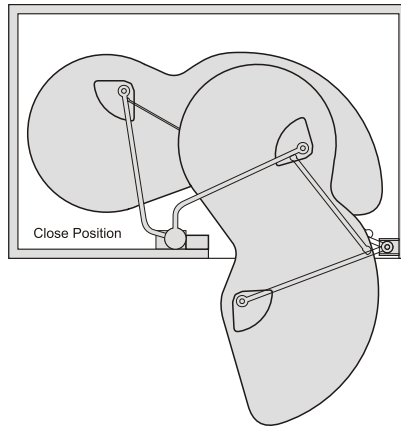
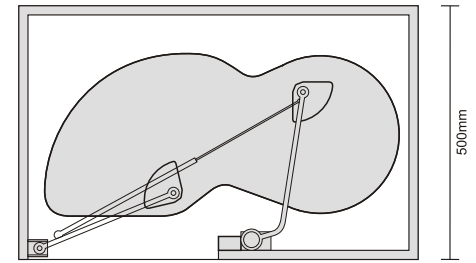
Right Side

900 mm (Mini.)



Left Side

900 mm (Mini.)



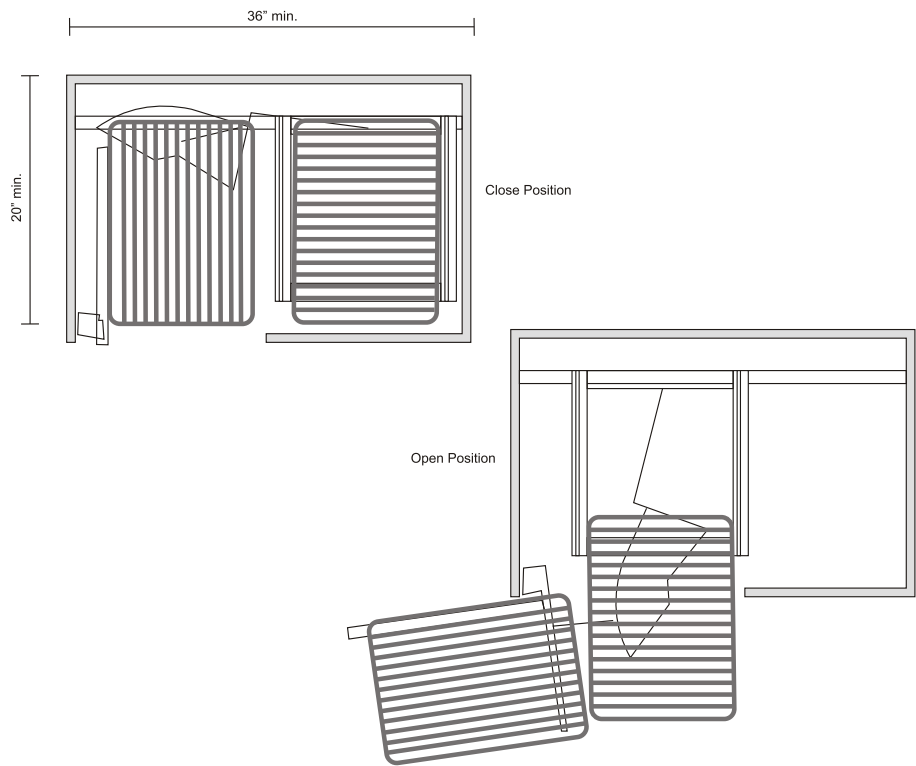
Premium Magic Corner Fitting Layout

Premium Magic Corner

W : 36

D : 20

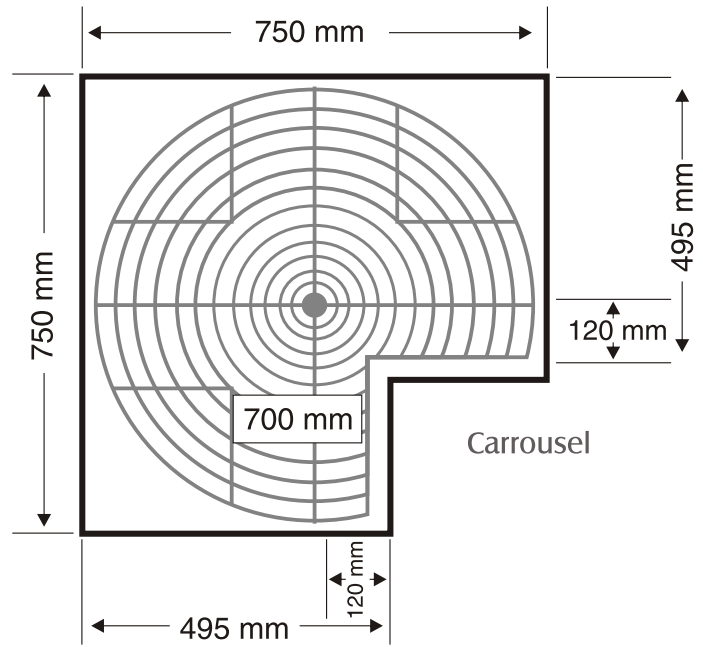
H : 22



Carrousel Fitting Layout

Carrousel

Dia. : 24, 28



Contains

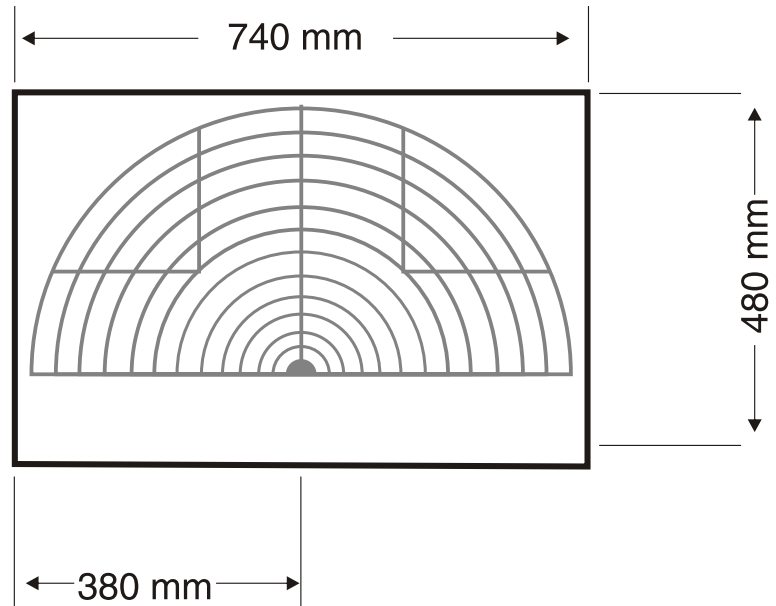
1. Mounting Pole (Adjustable Height)
2. Bass and top mounting bushes
3. Tray - 2 pcs.



D-Tray Fitting Layout

D-Tray

Dia. : 24, 28



Contains

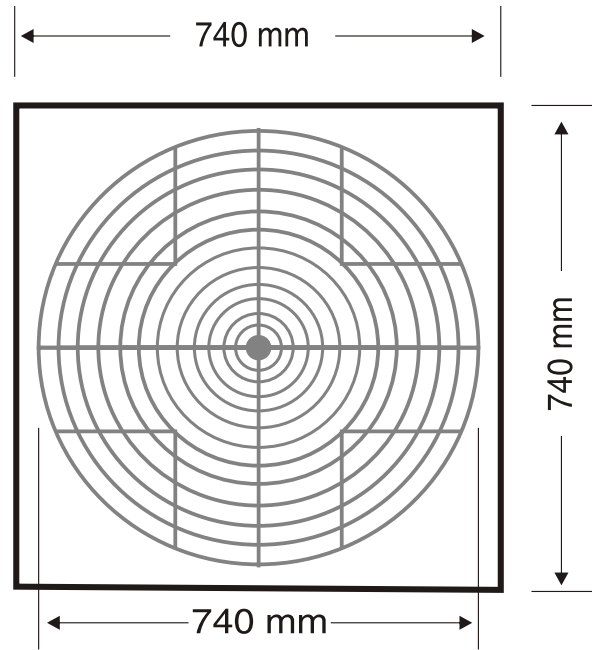
1. Mounting Pole (Adjustable Height)
2. Bass and top mounting bushes
3. Tray - 2 pcs.



Full Round Fitting Layout

Full Round

Dia. : 24



Contains

1. Mounting Pole (Adjustable Height)
2. Bass and top mounting bushes
3. Tray - 5 pcs. (Also Available in 2 Pcs.)

D - Tray



Elevator

W : 22

D : 11

H : 26



Position 1

Position 2



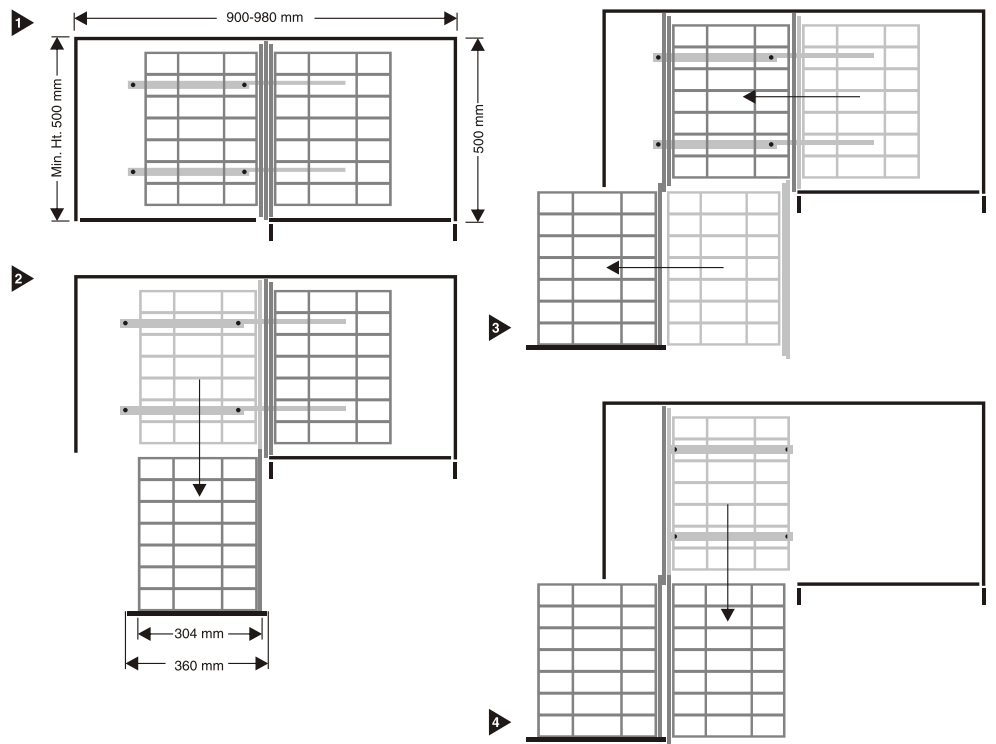
Corner Organizer Fitting Layout

Corner Organizer

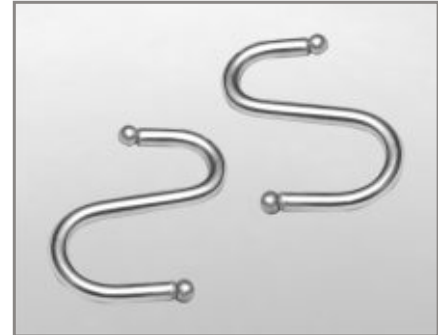
W : 36

D : 20

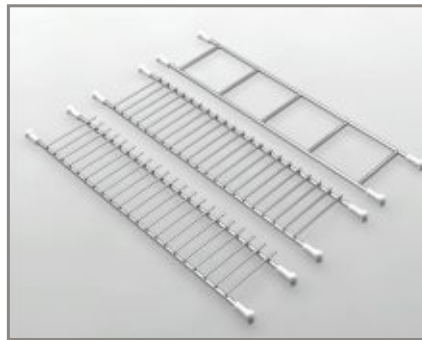
H : 24



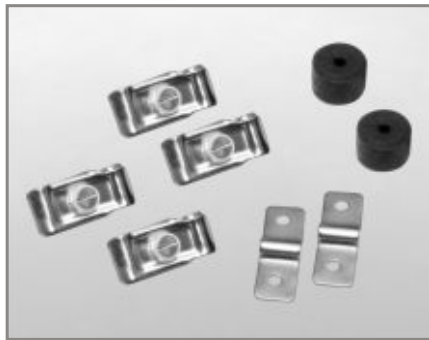
S - Hook



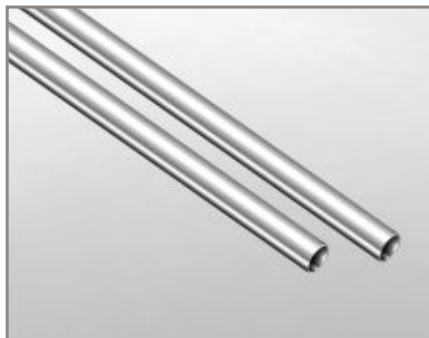
Partition



Fitting Accessories



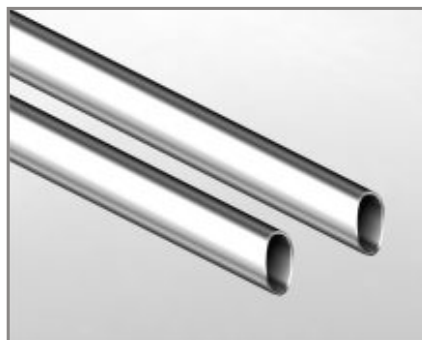
Tube



16 mm X 600 mm
16 mm X 900 mm
16 mm X 1200 mm

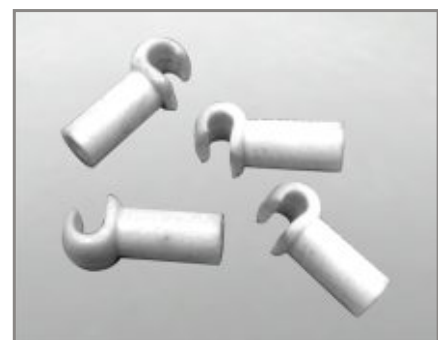
Accessories

Oval Tube

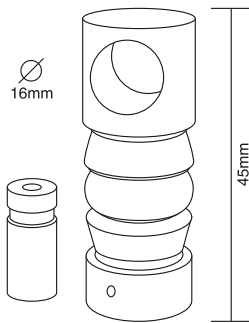


35 X 15 X 1075 mm
35 X 15 X 1925 mm

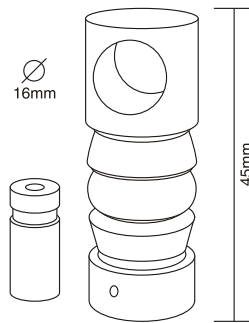
Clip



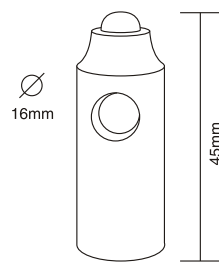
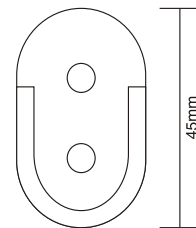
Tube Holder



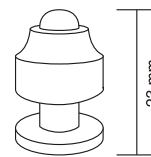
Tube Connector



Oval Tube Holder



Hanging Holder



Hanging Holder



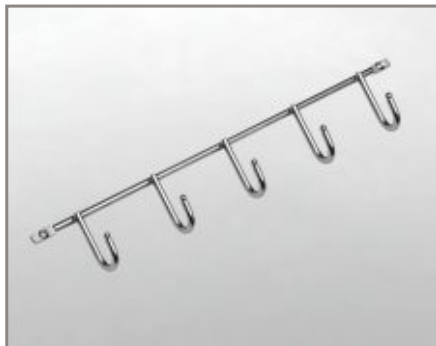
Multi Purpose Wardrobe System



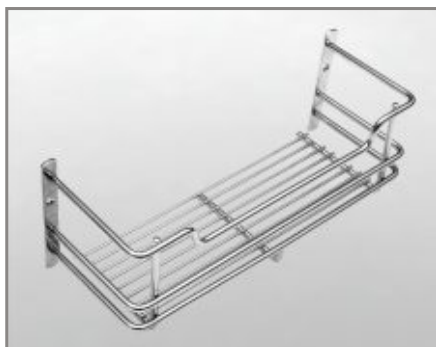
Hanger Slider



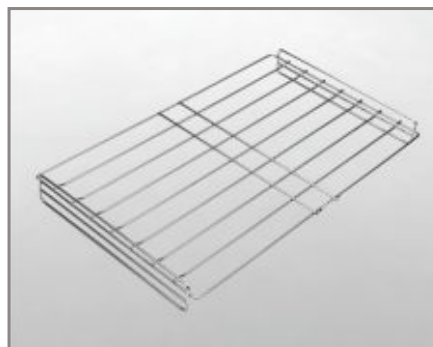
Hook Rack 35 x 350 x 60



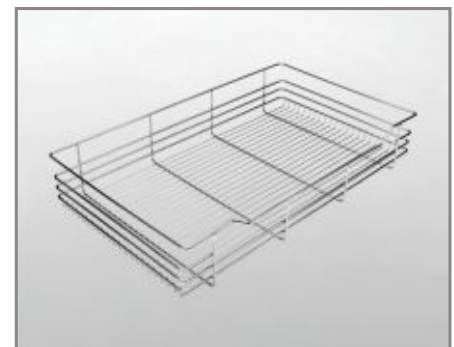
Perfume Rack 310 x 110 x 100



Trouser Rack 812 x 485 x 80



Basket 812 x 485 x 140



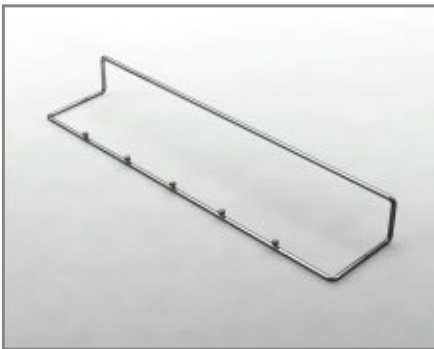
Side Slider Pull Out System

W : 4

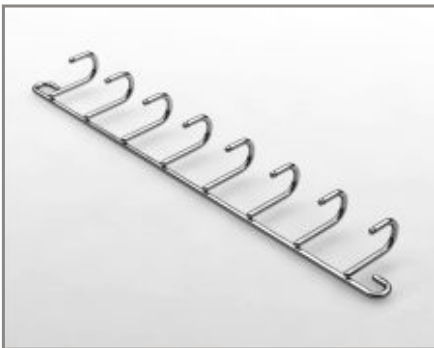
D : 20

H : 48

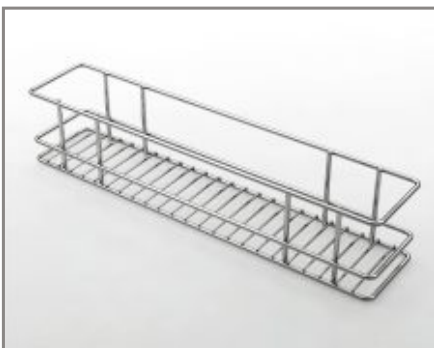
Tie Rack 100 x 485 x 55



Hook Rack 35 x 475 x 60



Basket 101 x 485 x 100



Small Slider Pull Out System

W : 12

D : 20

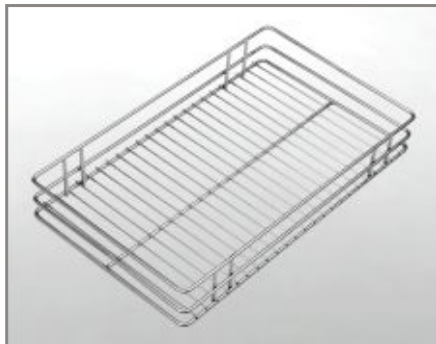
H : 36

Apparel, accessories ect all this in pull out rack system with adjustable height and one side mounting making all the things kept more accessible.

This system can be fixed at the lower and of the wardrobe to make it more user friendly for the children

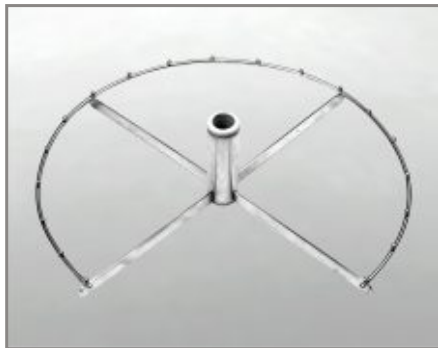


Basket 304 x 485 x 100

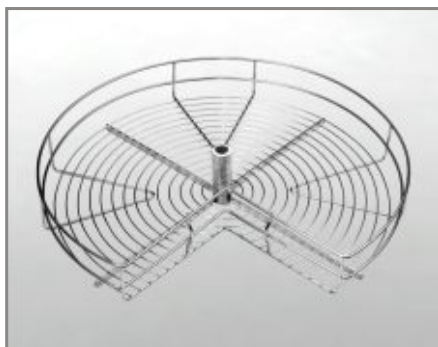


Wardrobe Corner System

Hanger Rack Dia. 460 mm



Tray Dia. 700 mm



This simple, but useful corner system to manage your dead corner of cabinets, Tray and rack are attached to a mounting pole yet all the racks have independent rotation.

Multipurpose Pole Unit (Set -A)



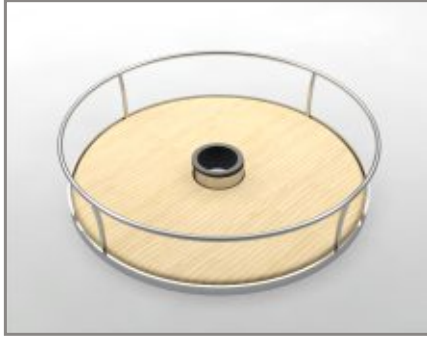
Multipurpose Pole Unit (Set -B)



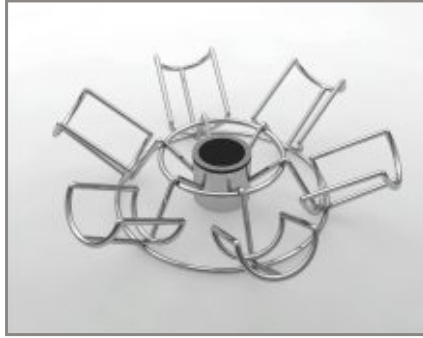
Multipurpose Pole Unit (Set -C)



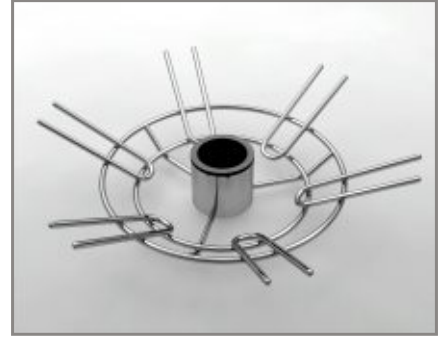
Center Rotating Round Tray
with Wooden Base



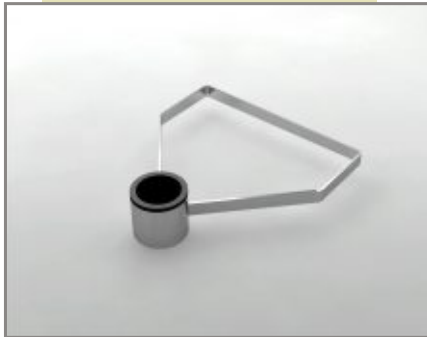
Wine Bottle Rack



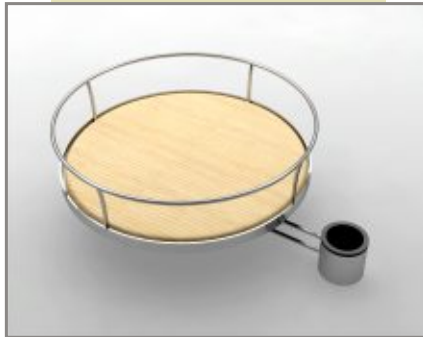
Wine Glass Rack



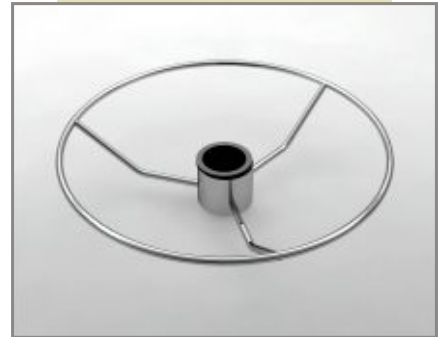
Support For Pole to Carcass



Side Rotating Round Tray
with Wooden Base



Foot Rest



Work Top Round



Work Top Big & Small



Pole Fittings &
Single Support for Work Top



Fruit Basket

W : 8.5

H : 22

D : 9.5



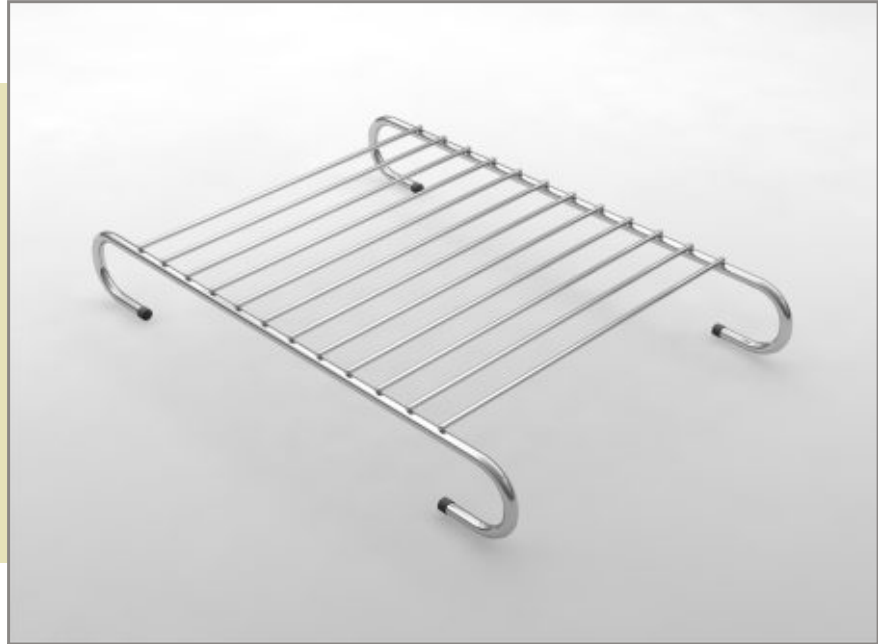
Hot Plate

W : 12

H : 1.5

D : 8

Corner Organiser is very useful for Organising space in the in you can keep all the items like vase caserol & other necessary products for.



Square Hot Plate Small



Square Hot Plate Big

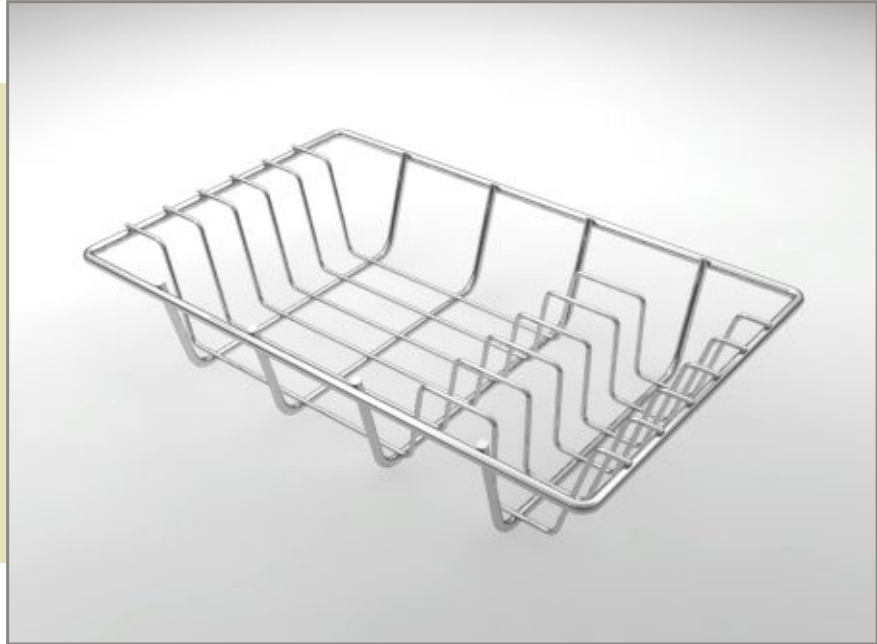


Sink Tray Basket

W : 18

D : 11

H : 4

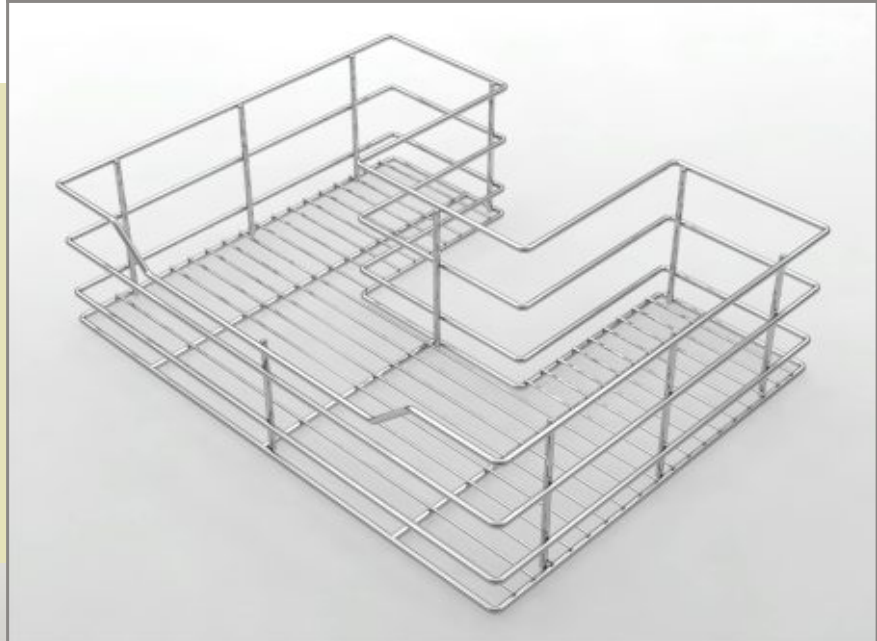


Sink Basket

W : 25.5, 28, 32

D : 16

H : 6



Wine Holder

Wine Holder is to hold your wine bottle and get artificial look of wine table.



Laundry Basket

W : 12

D : 17

H : 18

Basket for Laundry Cloths



Plate Rack

W : 8.5

D : 9

H : 4.5



Pan Holder

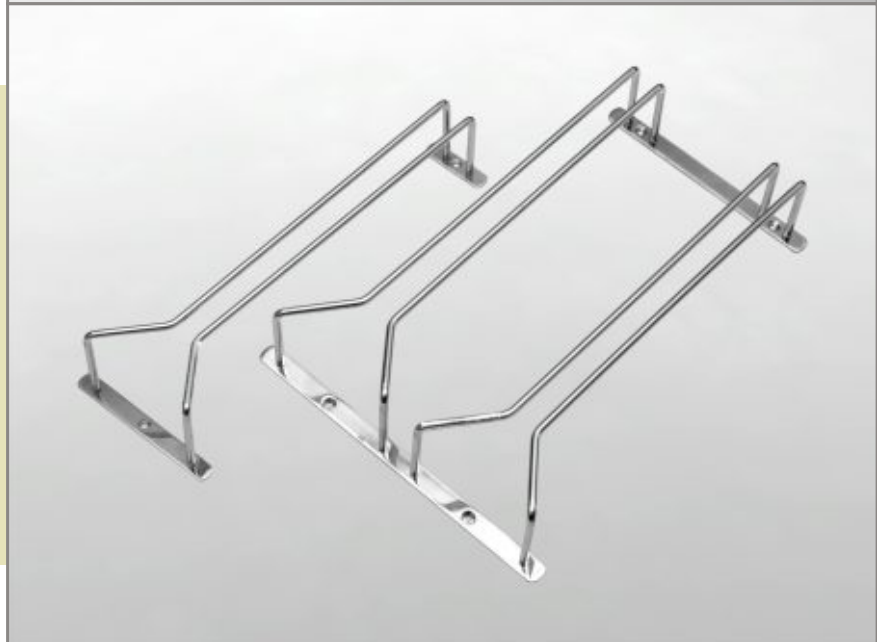


Wine Glass Holder

W : 13.5

D : 4.5, 8, 12, 16

H : 2.5



Spice Rack

W : 10.5

D : 6

H : 4



Bottle Rack

W : 12

D : 8

H : 5.5

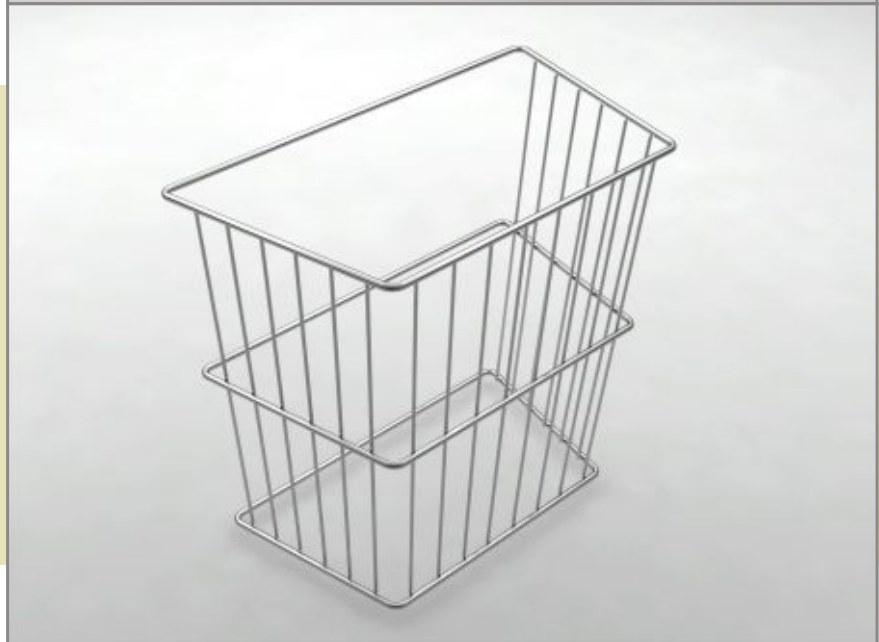


Use me Basket

W : 15

D : 9

H : 14



Cylinder Trolley



Paddle Dustbin

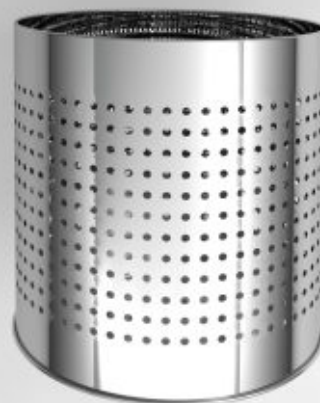
Liter : 4



West Dustbin

Dia : 8.5

H : 11.5





www.macwel.co.in



MACWEL METALS PVT. LTD.

G. I. D. C., METODA (GUJARAT) - 360 021.

Visit us : www.macwel.co.in